

IN8409

ULTI Ladder



1



+

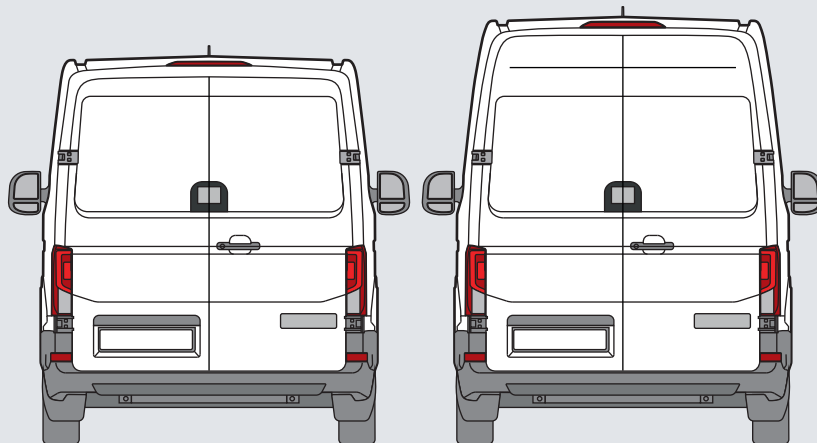
2



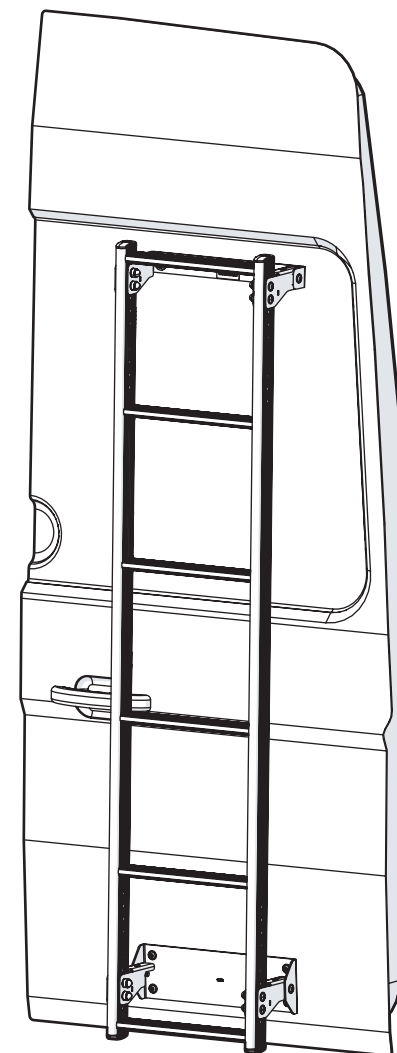
**THIS INSTRUCTION COVERS THE FOLLOWING MODELS
CHECK YOU ARE FITTING THE CORRECT MODEL BEFORE PROCEEDING**

VGL6-05

MAN TGE: 2017 on
Volkswagen Crafter: 2017 on
H2 / H3 - Twin Rear Doors



Customercare@van-guard.co.uk
UK +44 (0) 1392 368 351



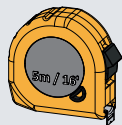
This FITTING INSTRUCTION is the property of VAN GUARD ACCESSORIES LTD. and must not be used for manufacturing purposes, copied nor communicated in any way to third parties without written permission from VAN GUARD ACCESSORIES LTD.
IN8409_B (CN:00140)

Van Guard Accessories Ltd
Fair Oak Close, Exeter Airport Business Park,
Exeter, Devon, EX5 2UL
www.van-guard.co.uk

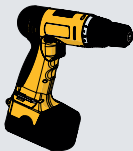
SUPPLIED COMPONENTS - CHECK ALL PARTS ARE PRESENT AND CORRECT BEFORE PROCEEDING

TOOLS REQUIRED

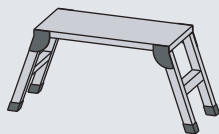
13MM X1



4MM X1



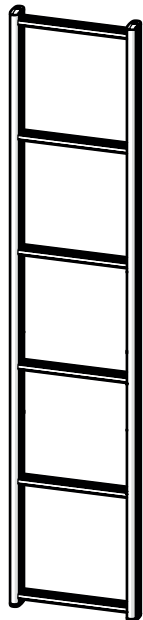
9MM X1



X1

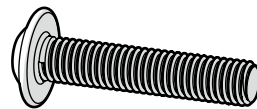


AS3593 X1



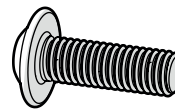
FX4249 X8

(M8X40)



FX4250 X10

(M8X25)



ME1944 X1

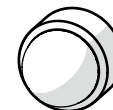


FX4240 X18

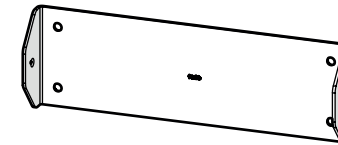
(M8)



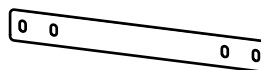
FX4241 X8



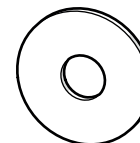
ME1920 X1



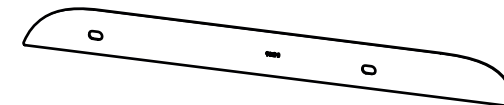
MA6200 X3



FX4252 X2



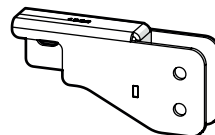
ME1921 X1



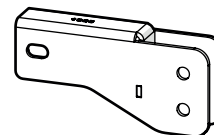
FX4008 X1



ME1906 X2



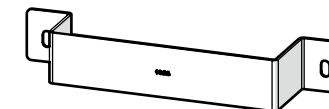
ME1905 X2



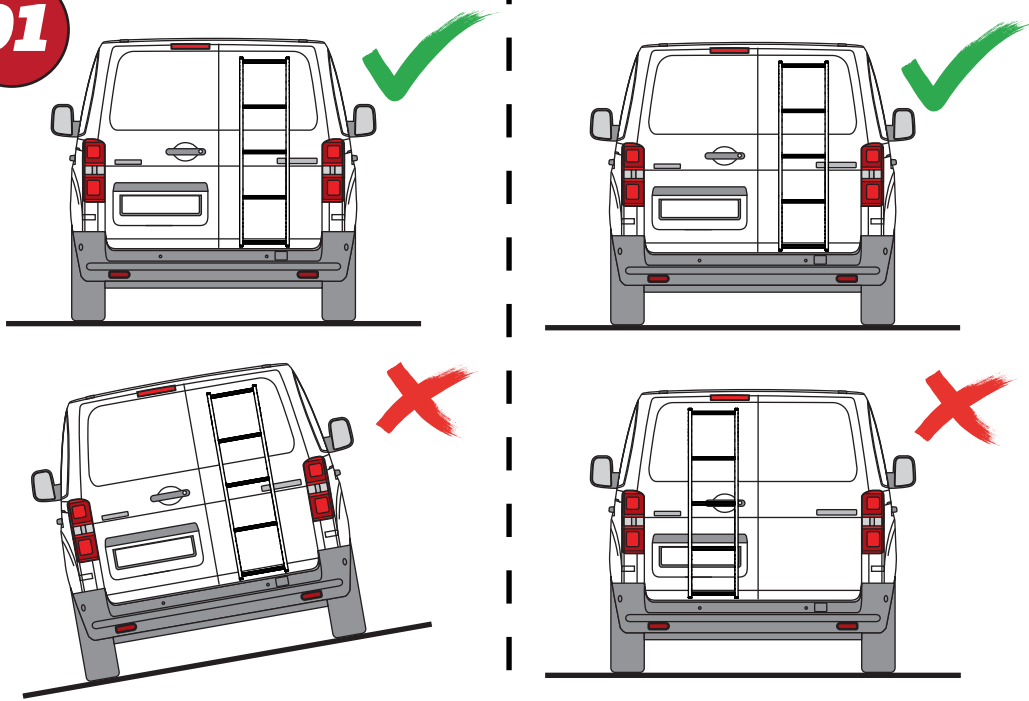
ME1922 X1



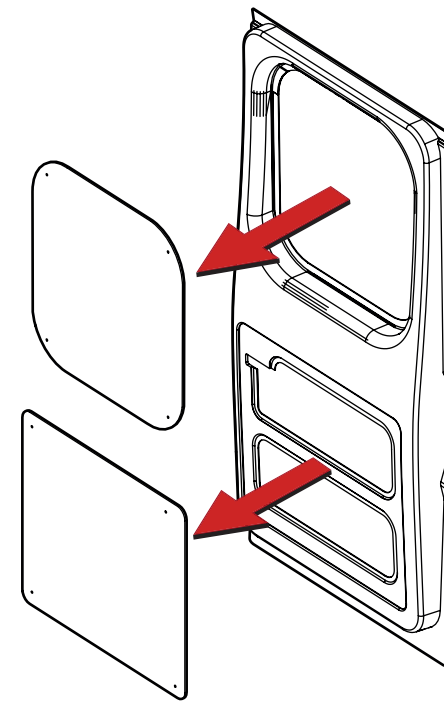
ME1926 X1



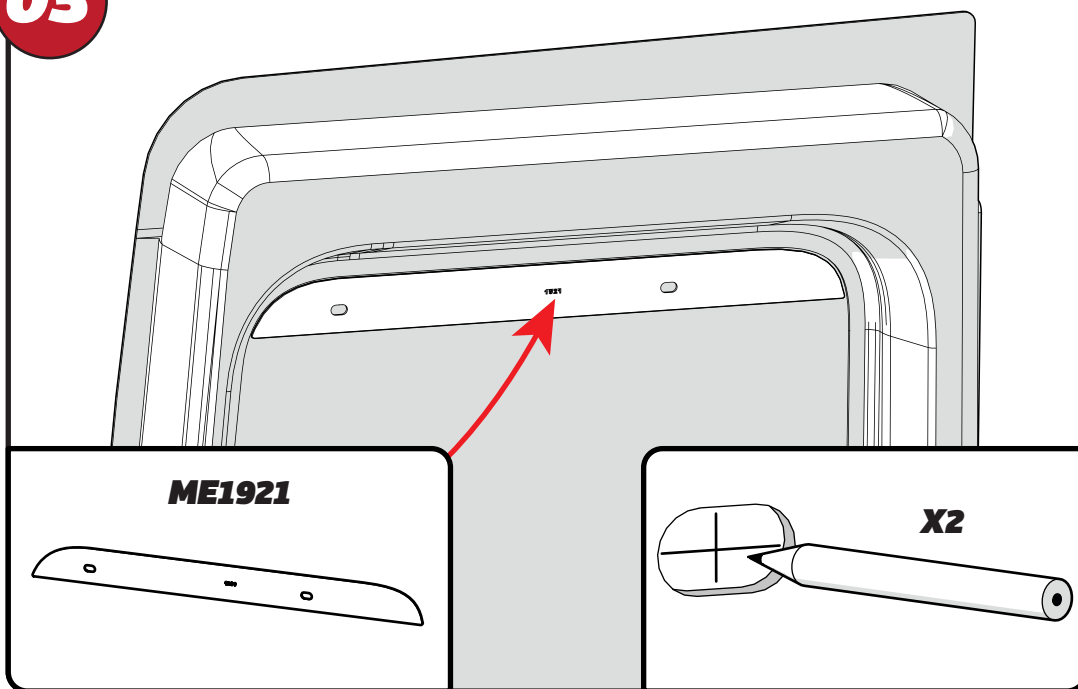
01



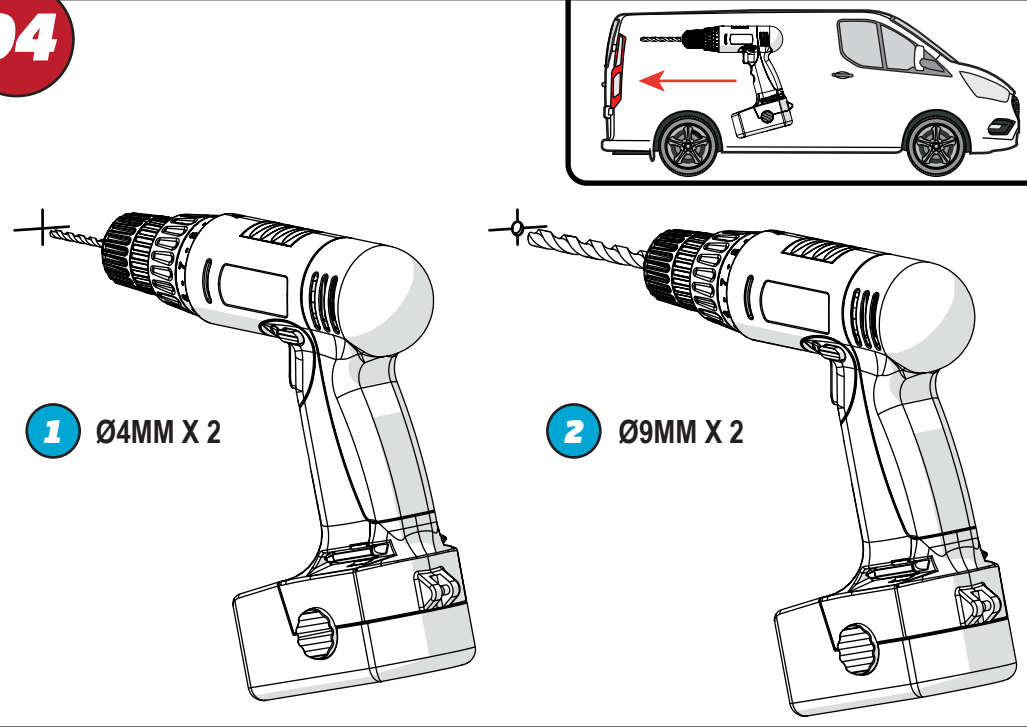
02



03

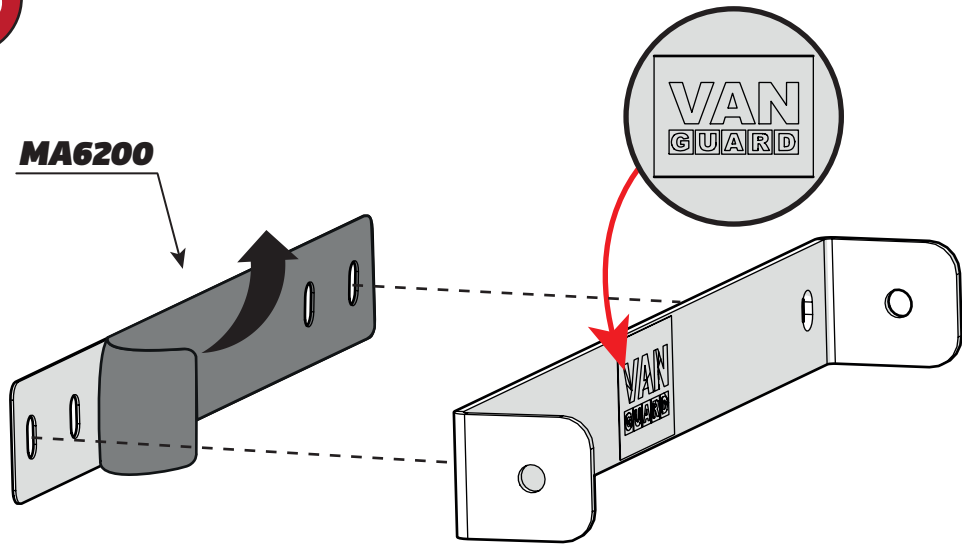


04



05

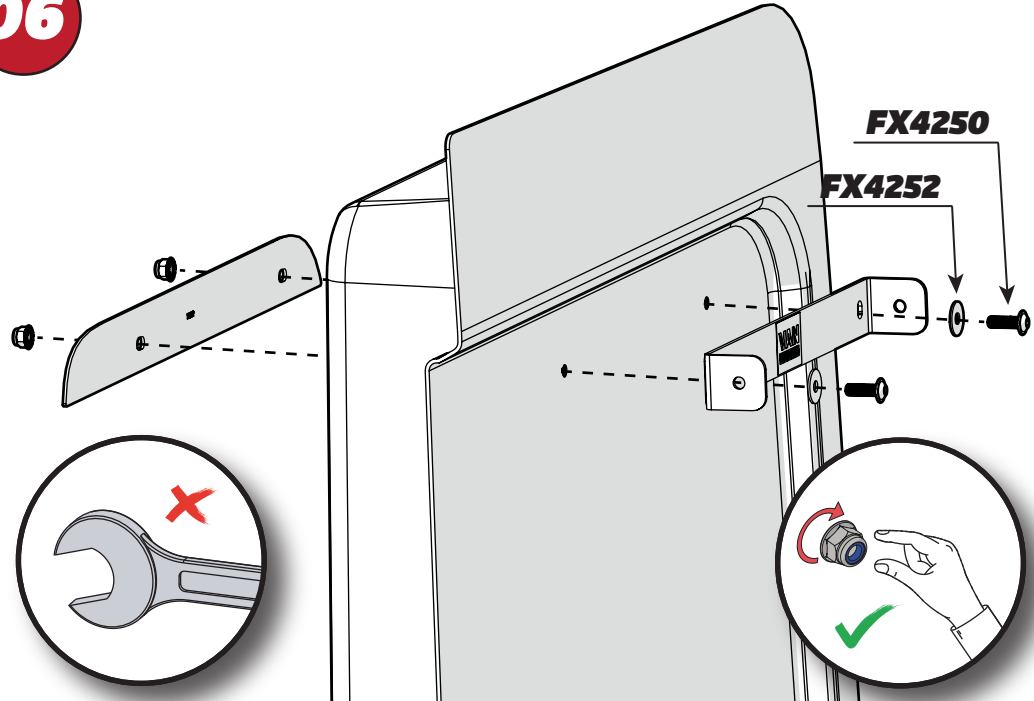
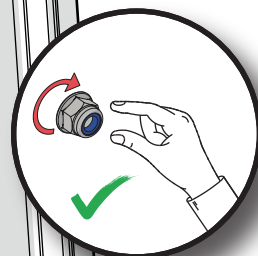
MA6200



06

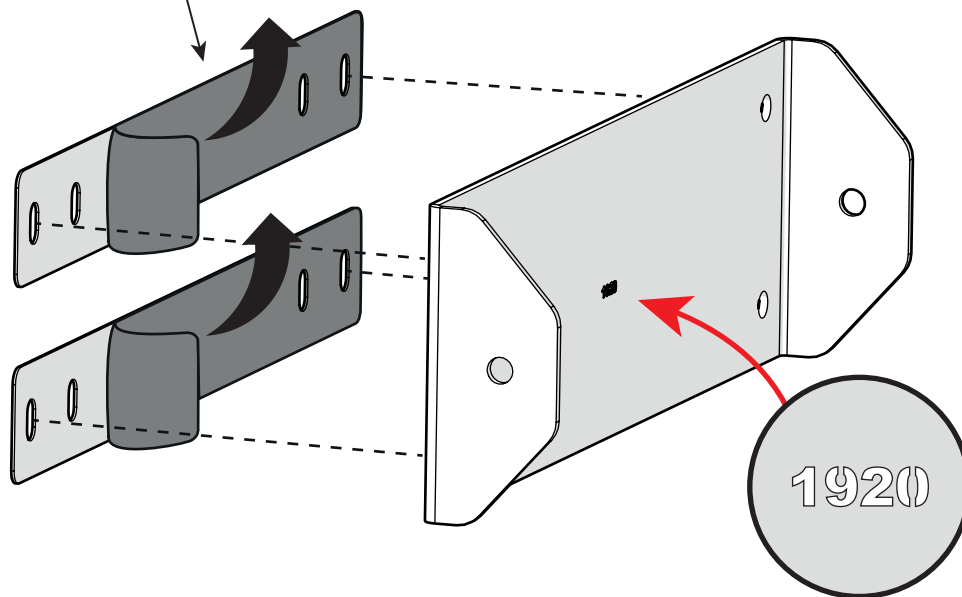
FX4250

FX4252



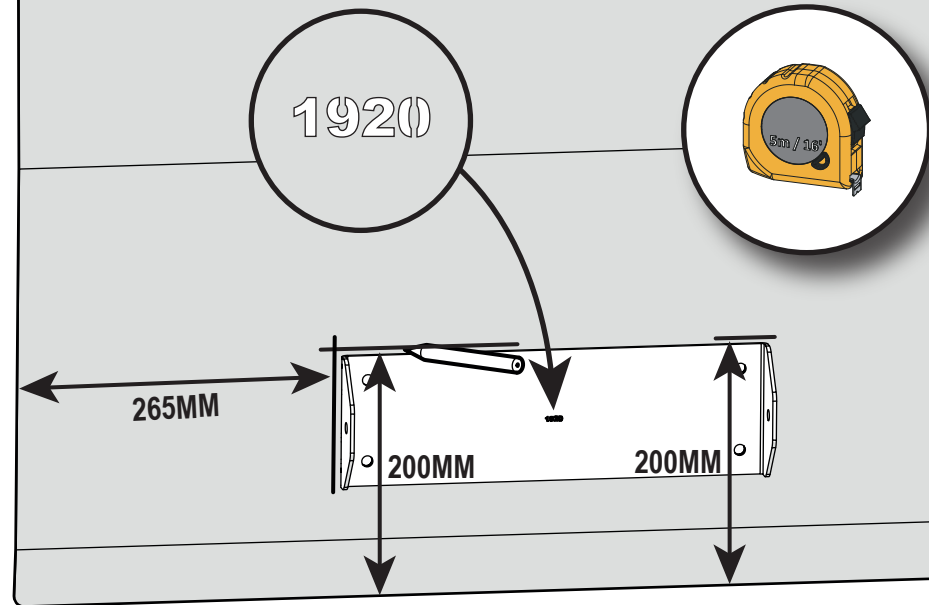
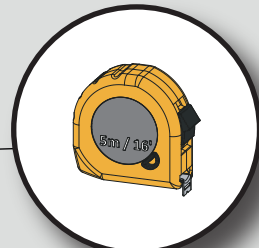
07

MA6200

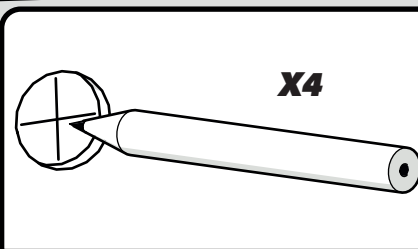
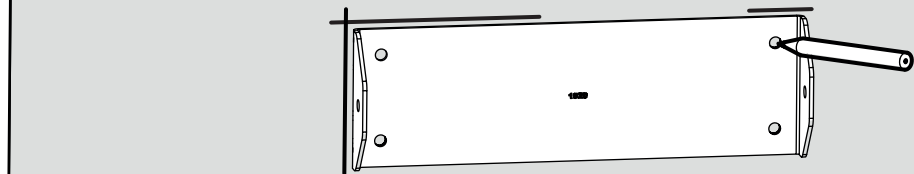


08

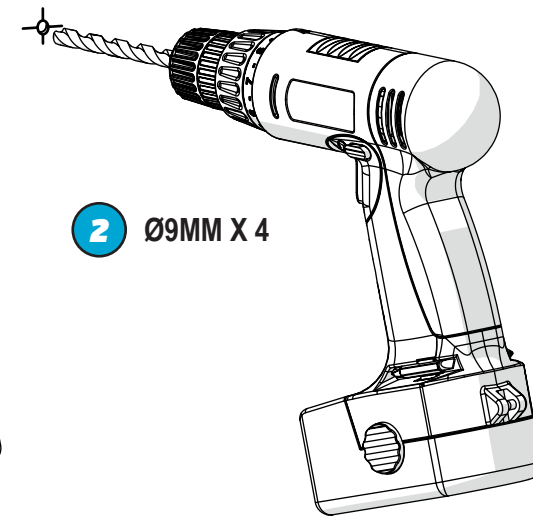
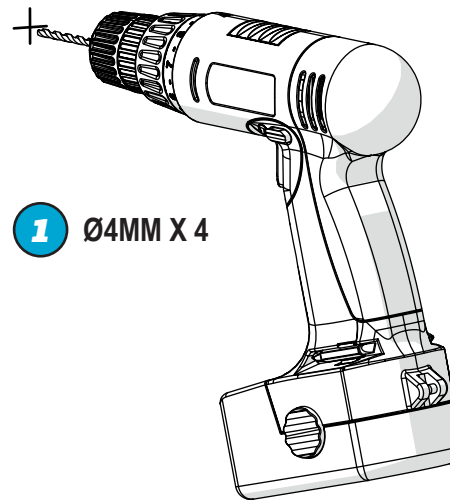
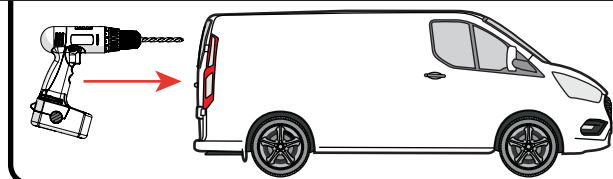
1920



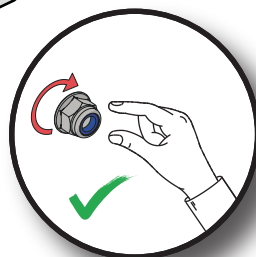
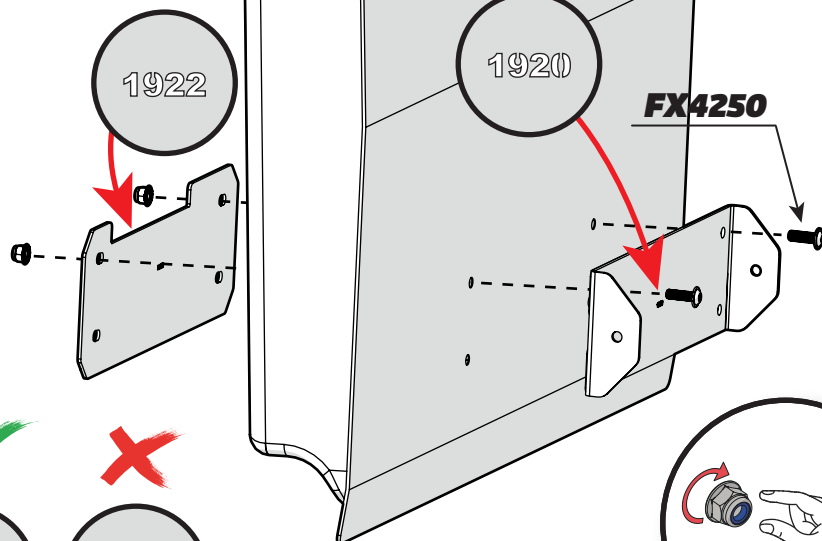
09



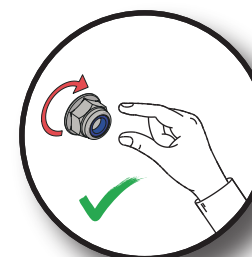
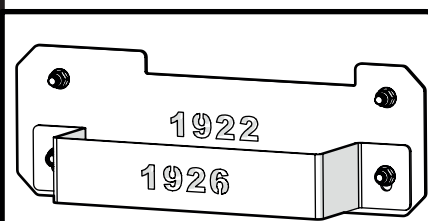
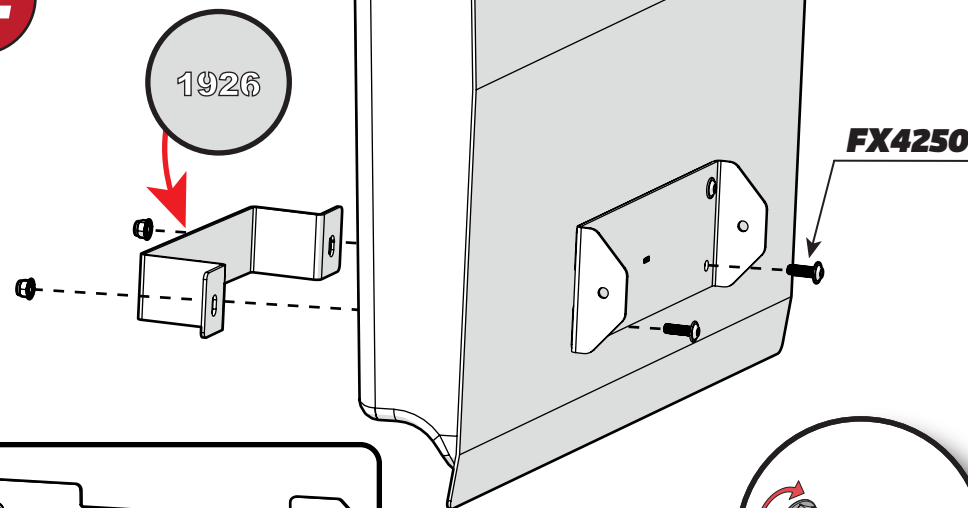
10



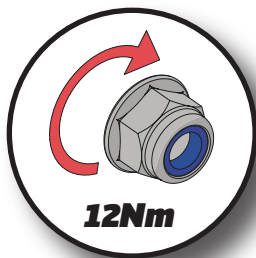
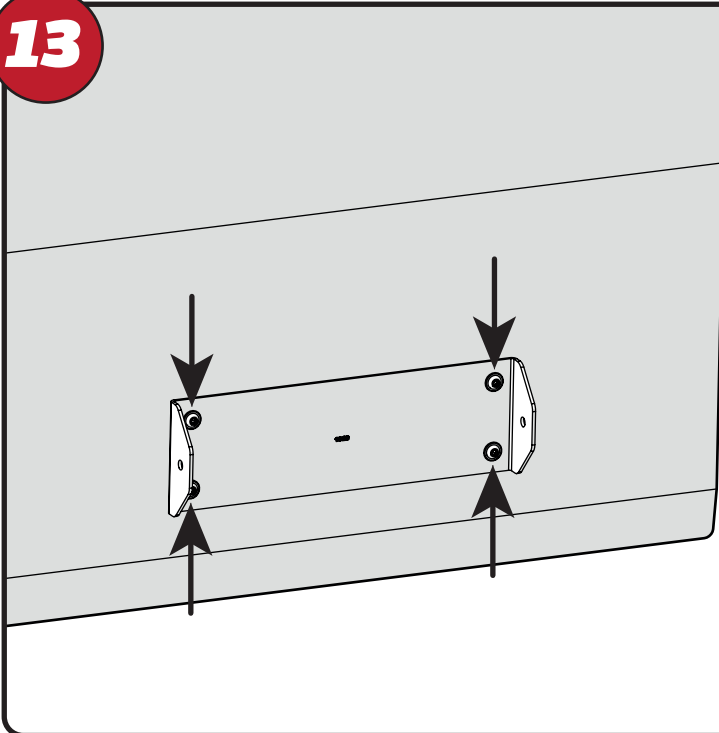
11



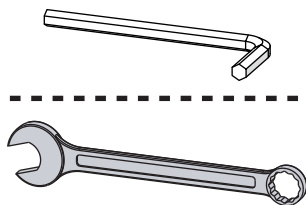
12



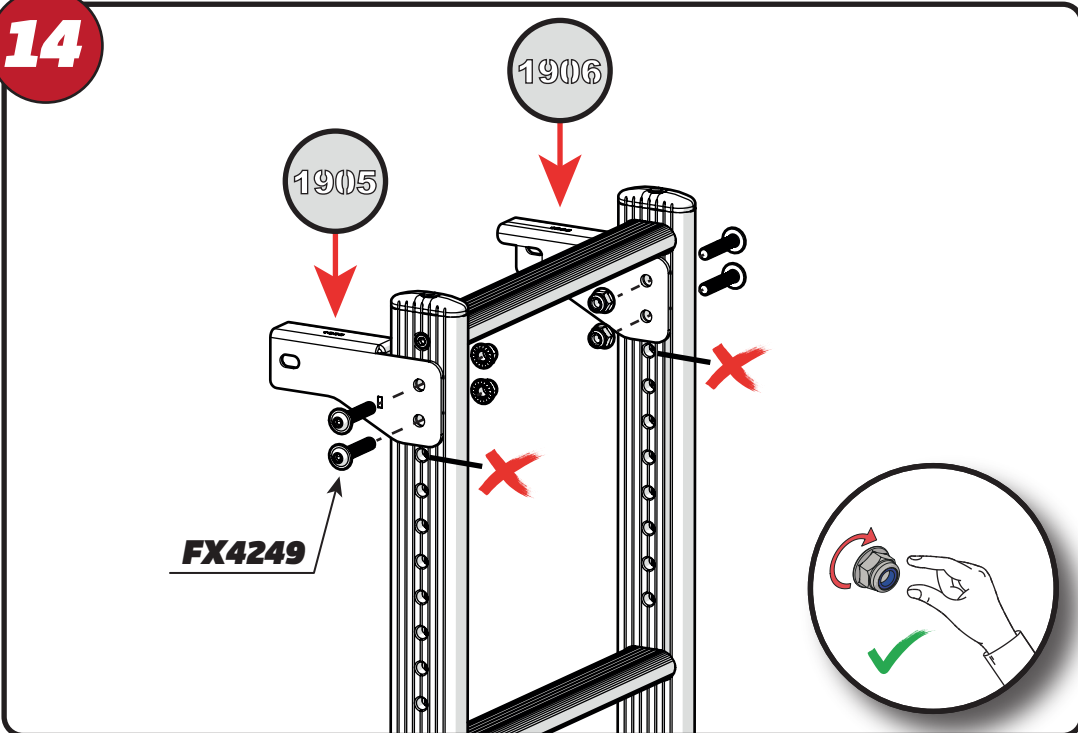
13



FX4008



14

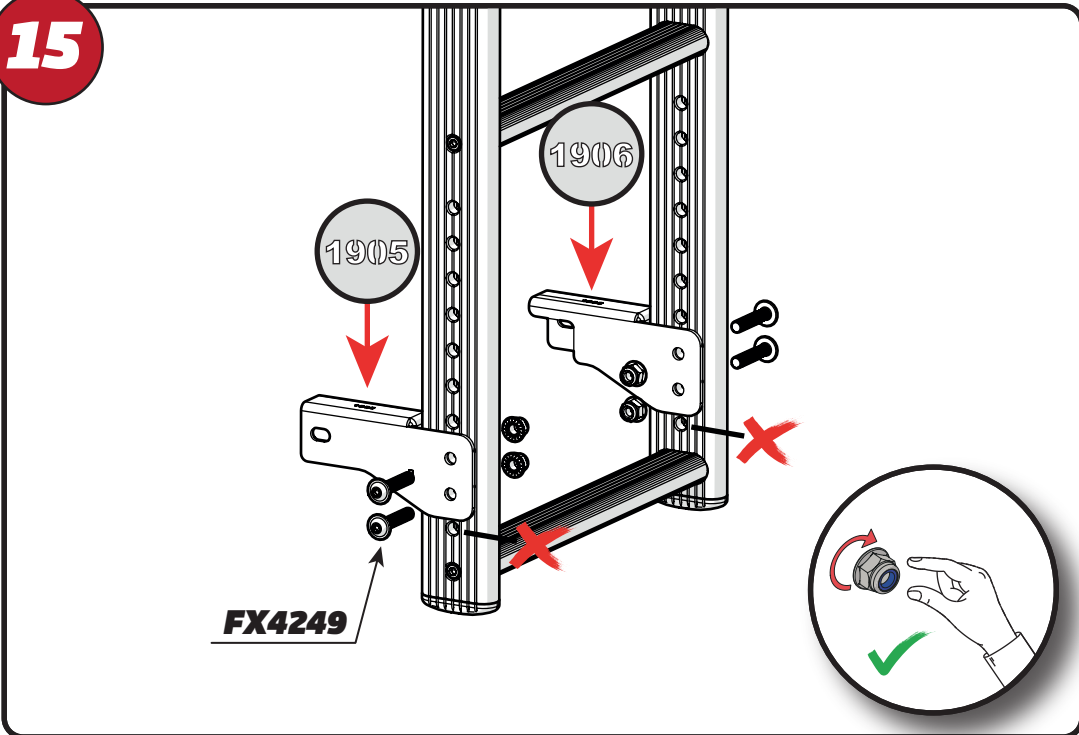


1905

1906

FX4249

15

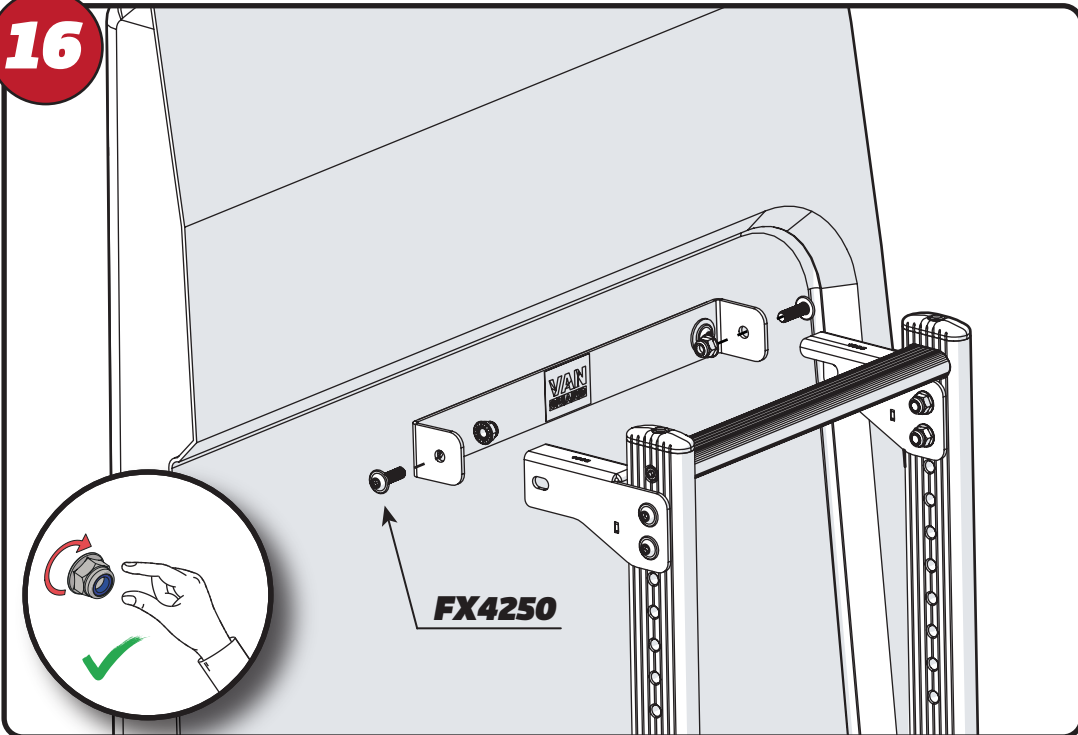


1905

1906

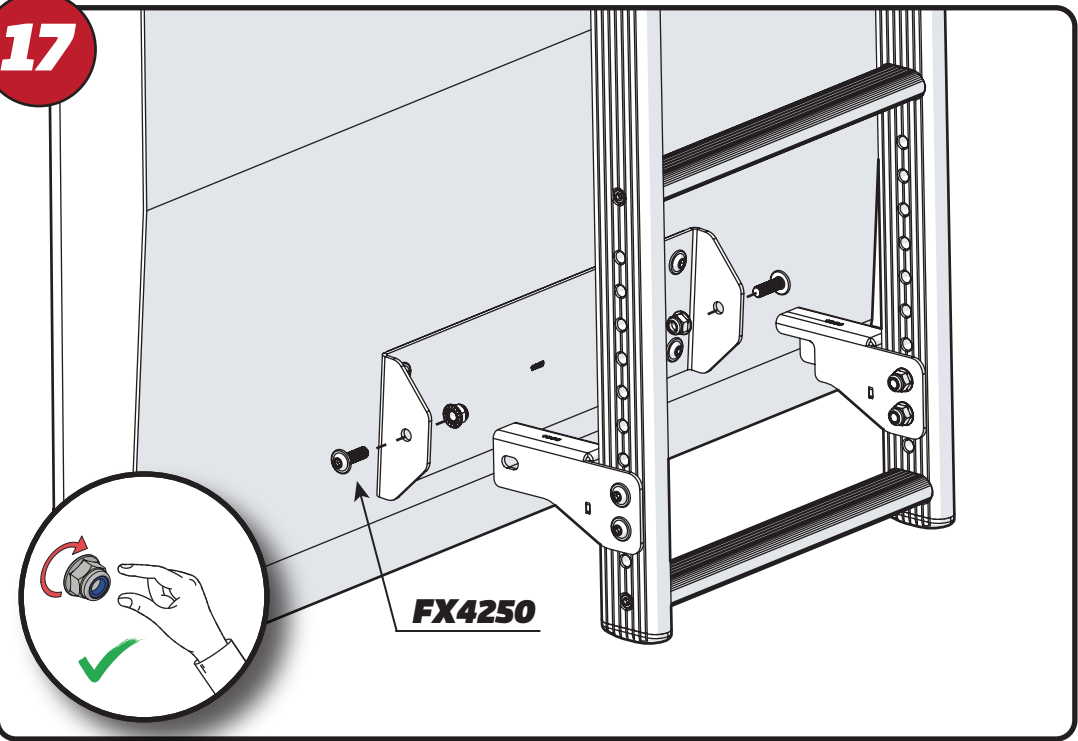
FX4249

16

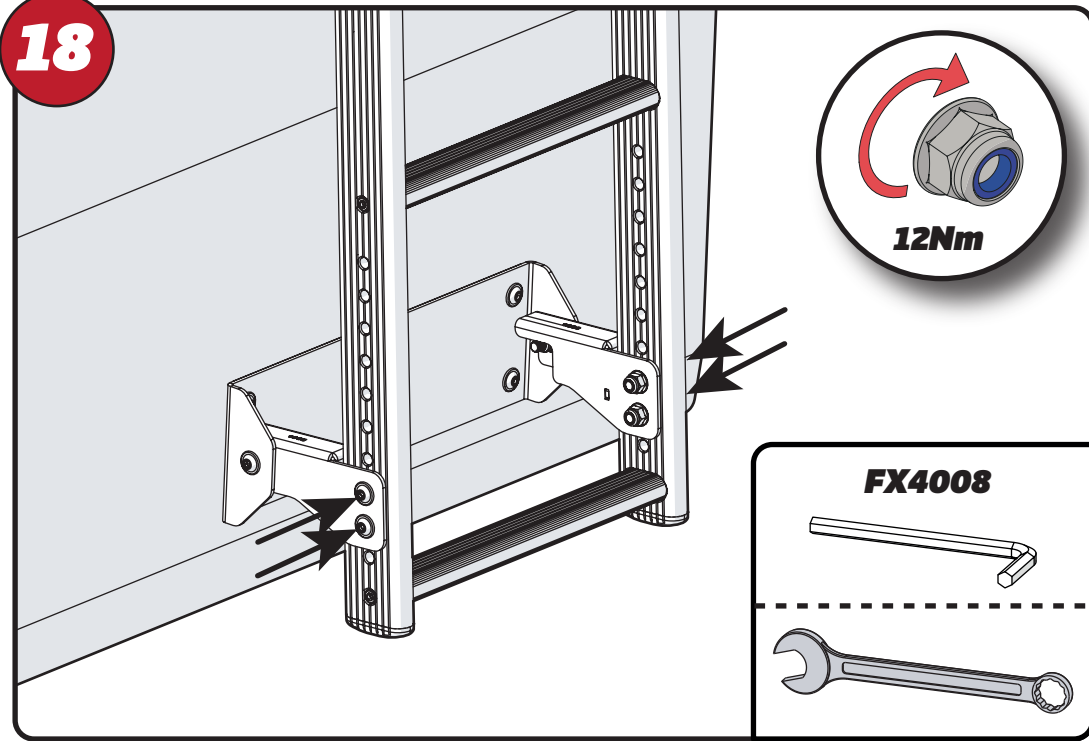


FX4250

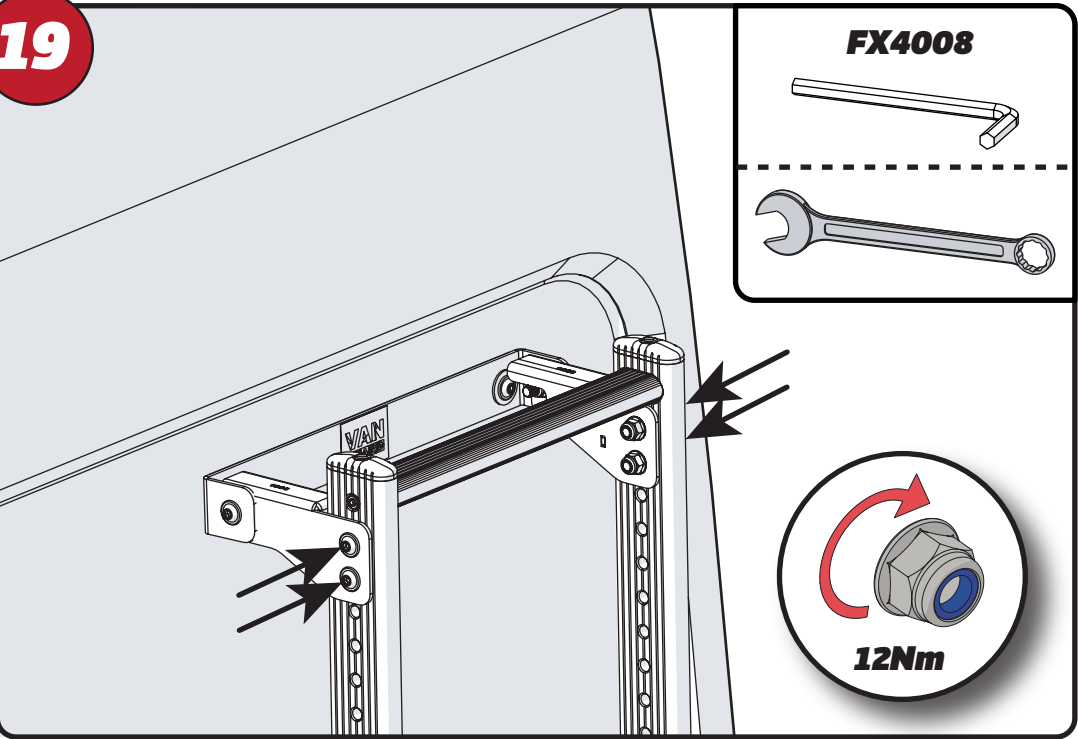
17



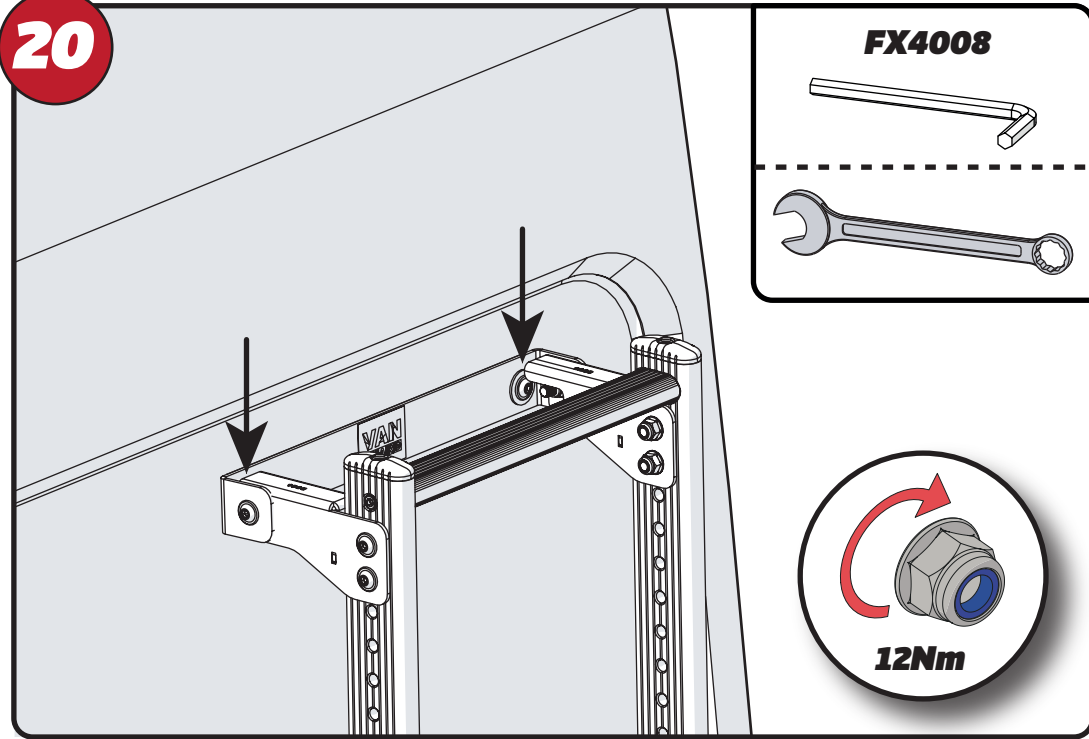
18



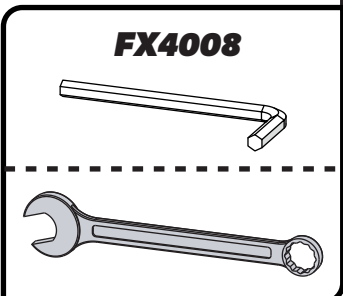
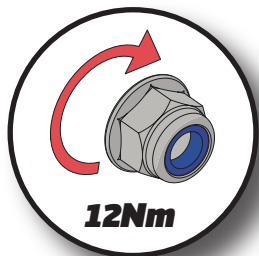
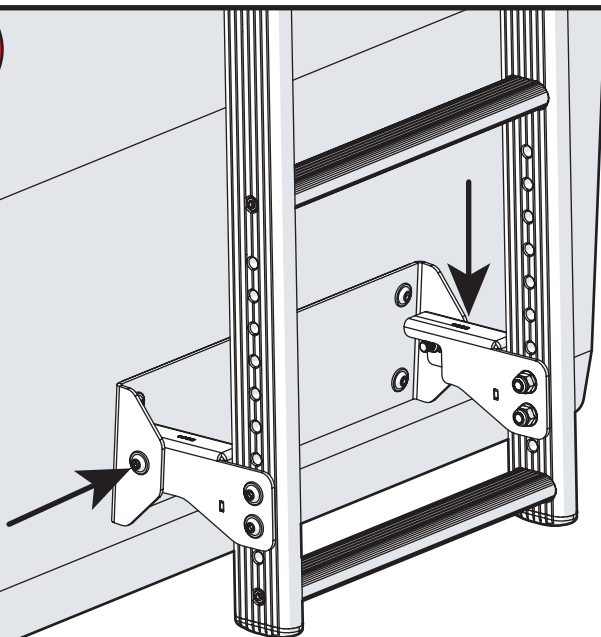
19



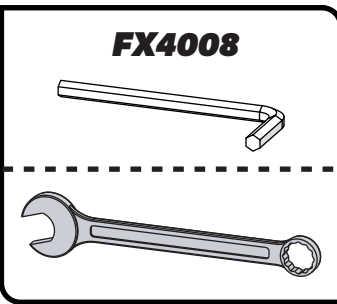
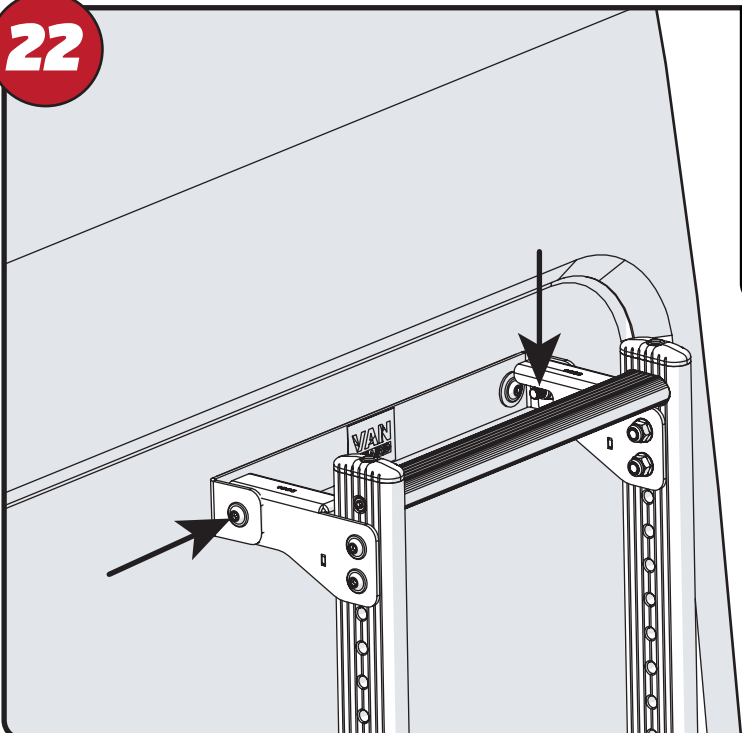
20



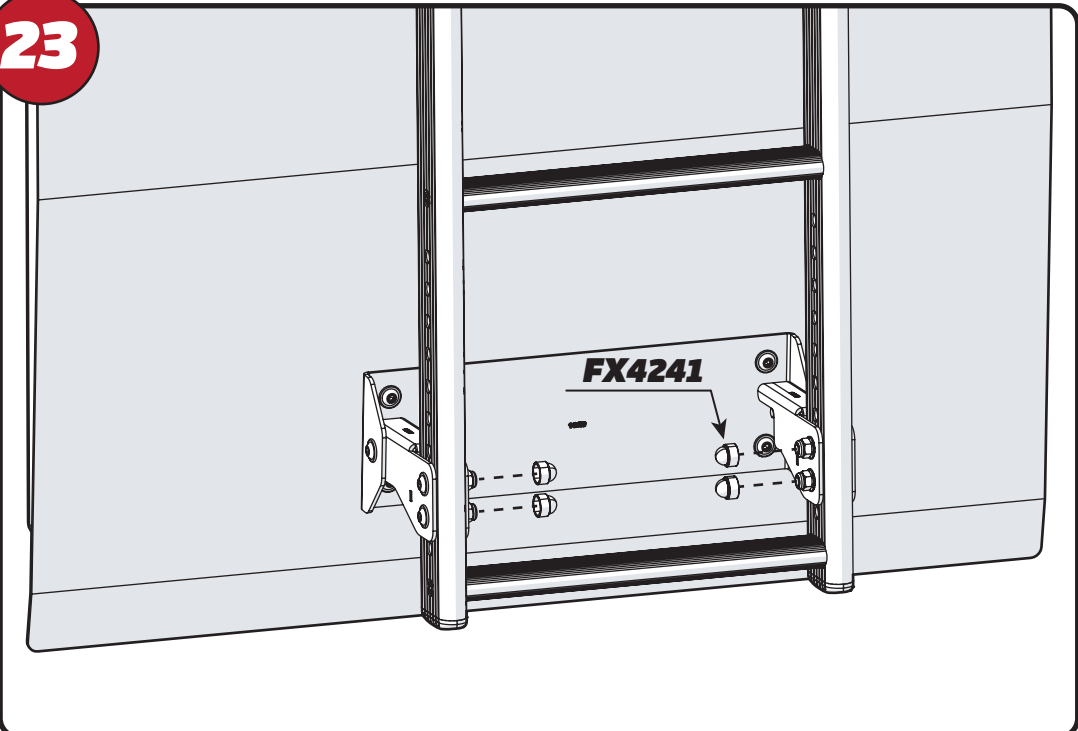
21



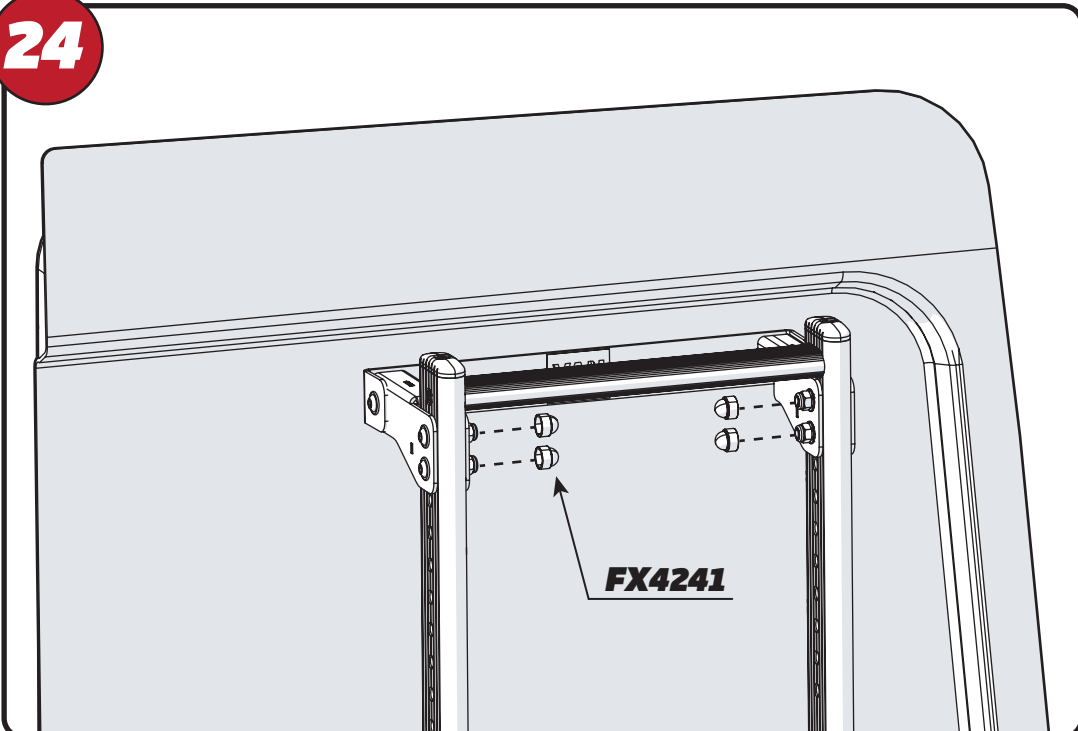
22



23



24



25

